

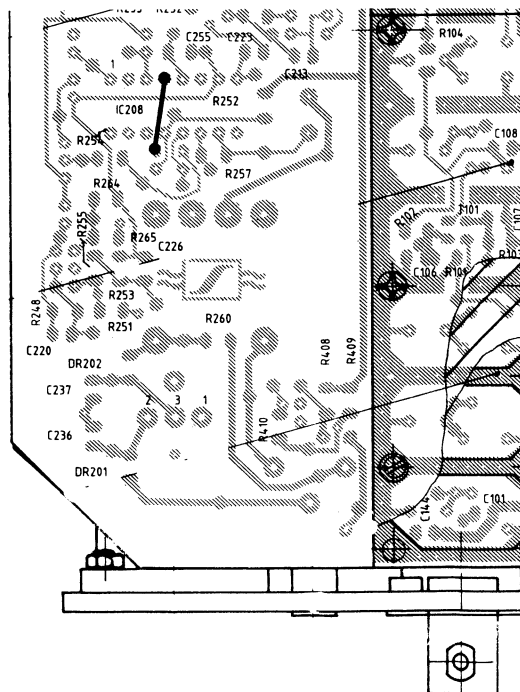
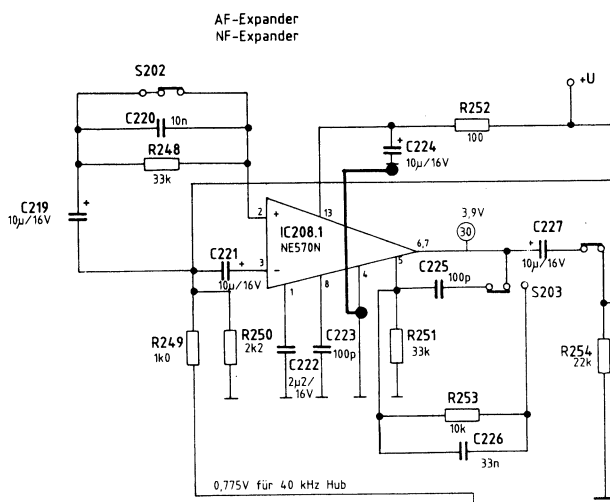
si 881219-14 e

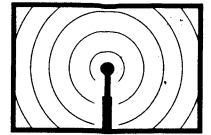
Ref.: EM 2003 TV

Fault: 50 Hz hum when the EM 2003 TV receives an RF-carrier without modulation.

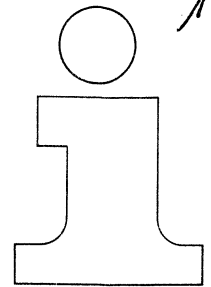
Cause: Insufficient ground connection at HiDyn-IC

Remedy: Connect ground connection of IC 208.1 to ground connection of IC 224. This will reduce the hum by 6 dB.



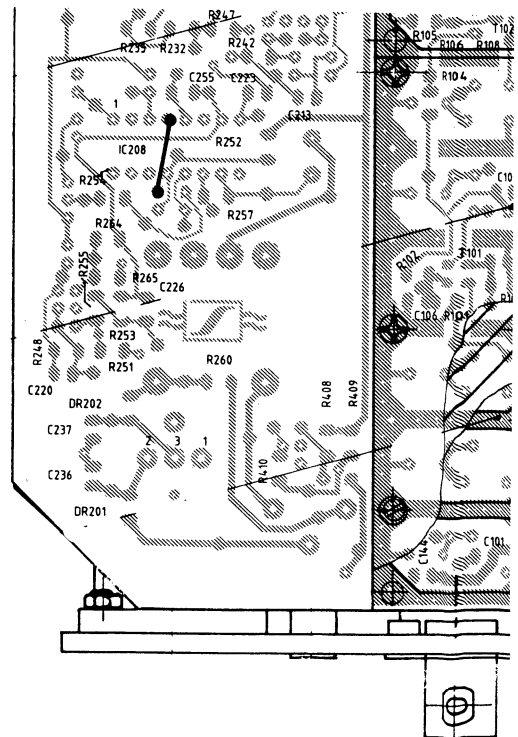
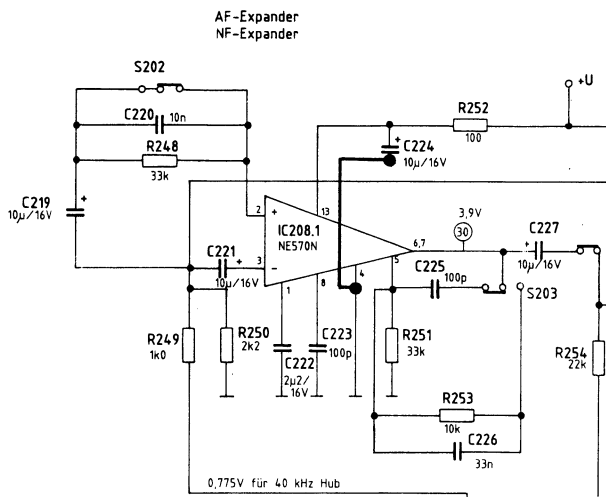


19

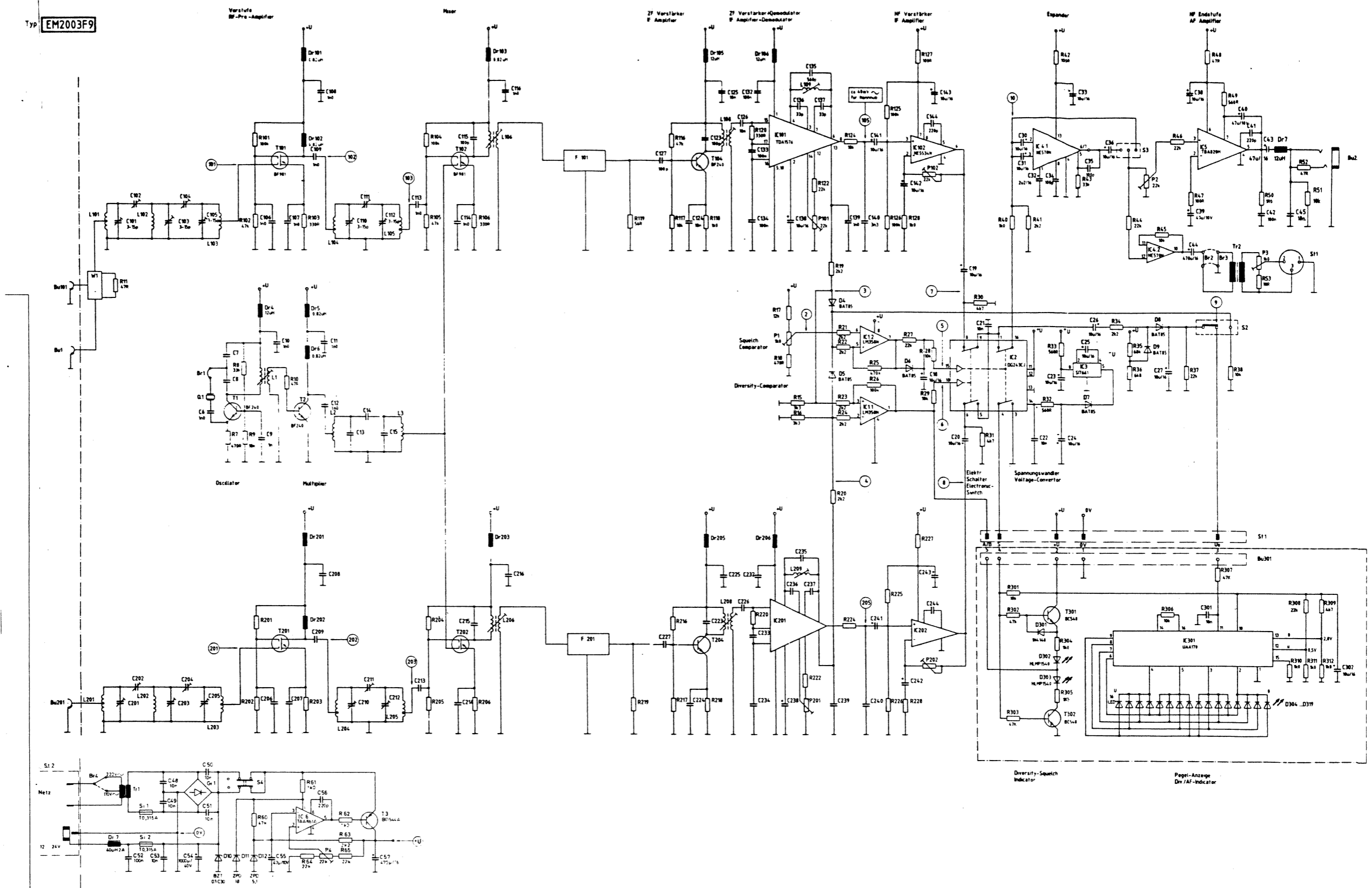


si 881219-14

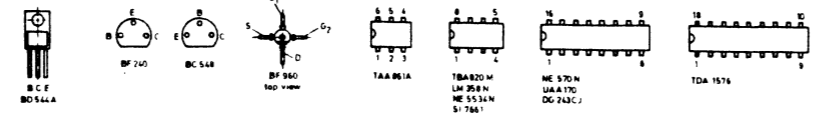
- Betr.:** EM 2003 TV
- Fehler:** 50 Hz-Brummen bei Empfang eines unmodulierten HF-Trägers
- Ursache:** Unzureichende Masseverbindung am HiDyn-IC
- Abhilfe:** Massebrücke zwischen C 224 und Pin 4 / IC 208.1 auf Lötseite einbauen. Dadurch wird eine Verringerung des Brummens um 6 dB erreicht.

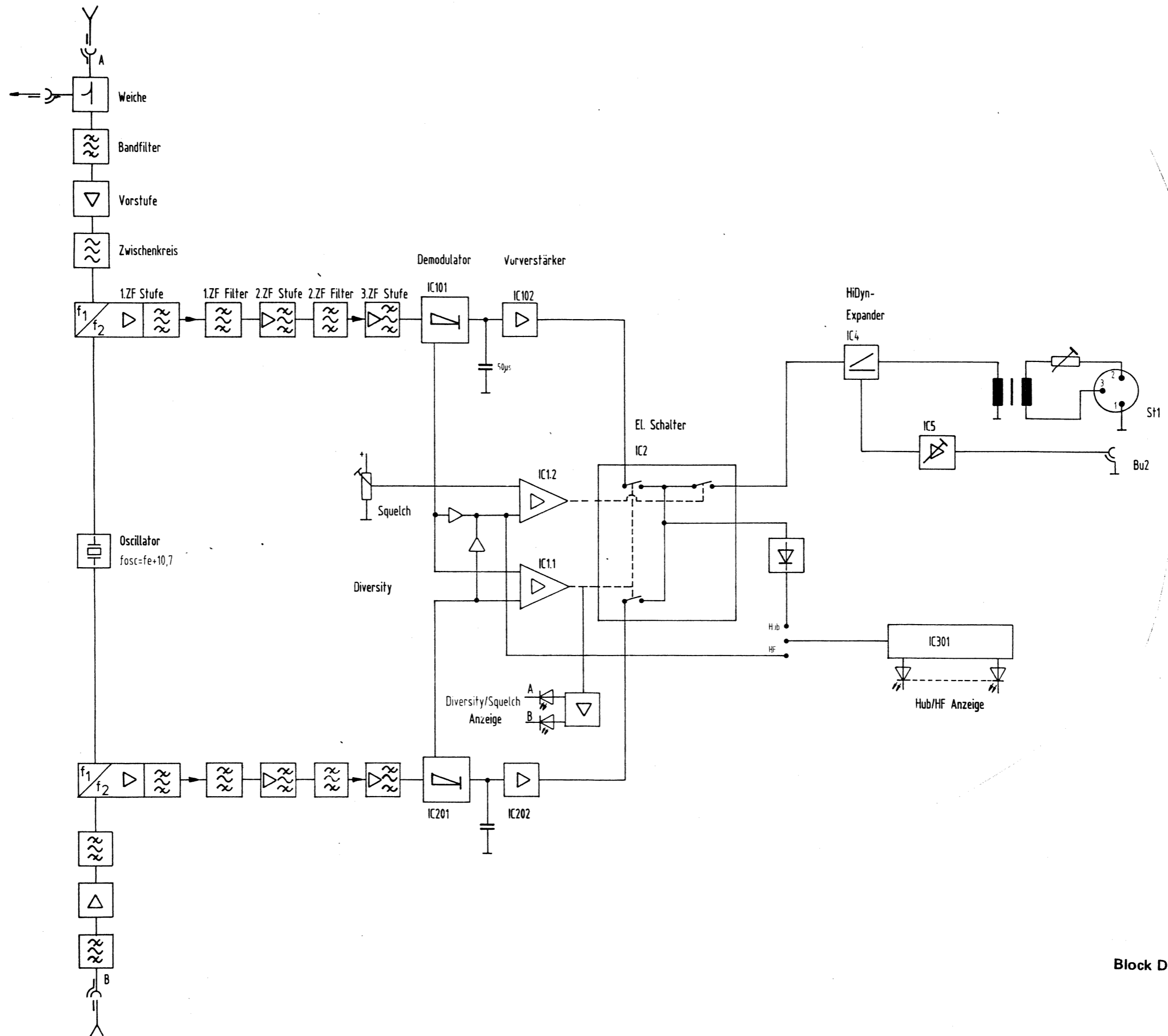


19

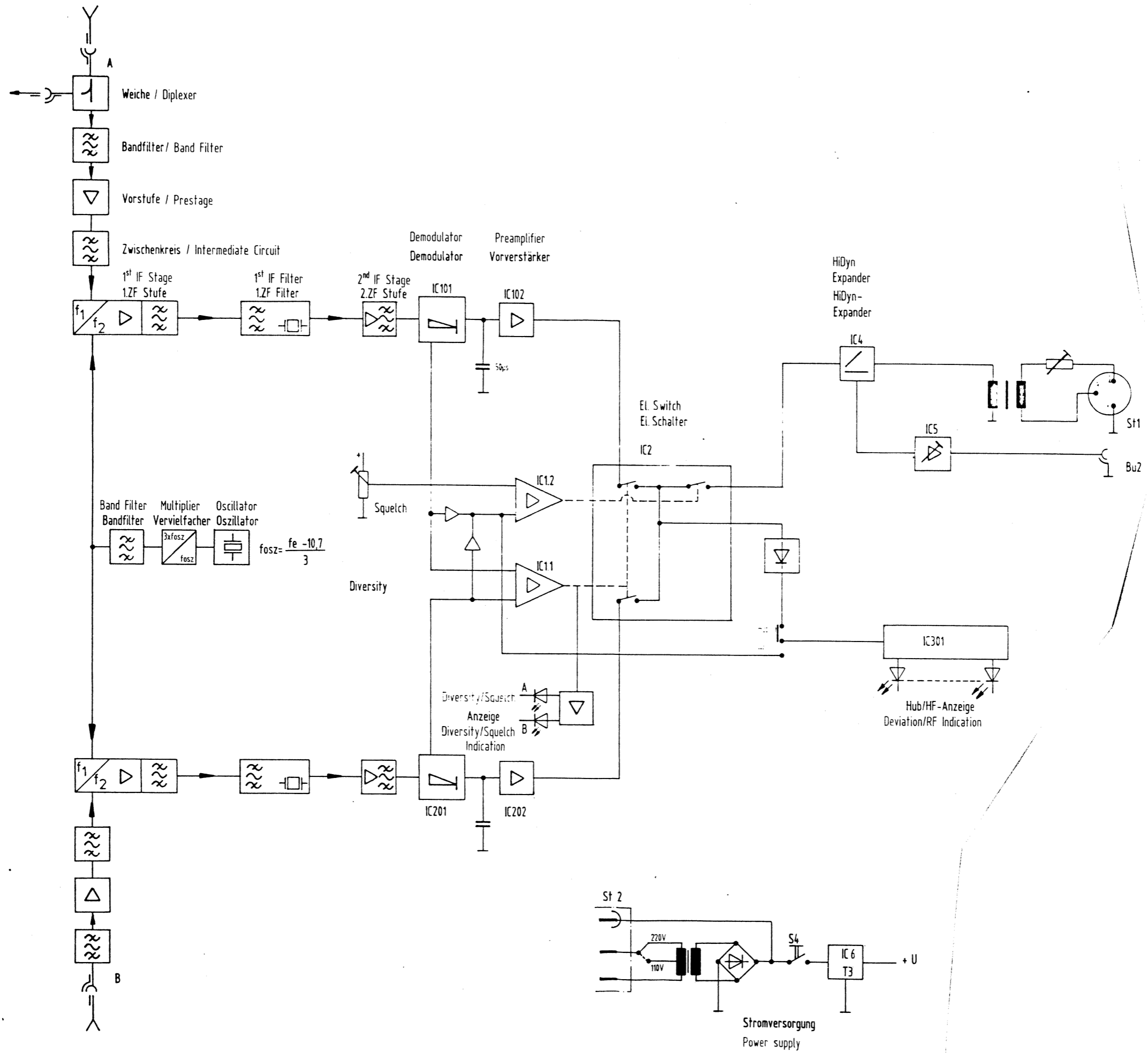


R	11	7	8101	102	106	103	8263,65	10,104,105	106	111,110,112	113	119	216,117	118	128	122	124	125,124	128,127	40	41	42	43	44	45	46	47	48	49	50	53	51
C	101	102	103,104	4,105,7,8	9,10	106,107	109,11,108,12,13,10,14,111,15,112	113	114	115	116	120,121,122	217	218	219	220	15,16,17,18	222	19,20,21,22,23,24,224,25,26,275,226,27,228,227,28,29	30,31,301,302,303	32,33,304,305	33	35	34	35,36	306	37	38	39	310,308,311,309,312		
	201	52,202	48,49,53,203,204	54,50,51,205	55,206,207	209,56,208	210	211,57,212	213	214	215	216	220,221,222	223	224	225	226,233,234	238,236,235,237	239	248,241	242	10,243,244	19,20,21	22	23,24	25,26	27	28,39,44	44,41,42,43			





Block Diagram EM 2003



Block Diagram EM 2003-9